

Repair Parts for Xtreme™ and XP Xtreme 220cc Lower

406892H

EN



Important Safety Instructions

Read all warnings and instructions in manual 311762. Save those instructions.

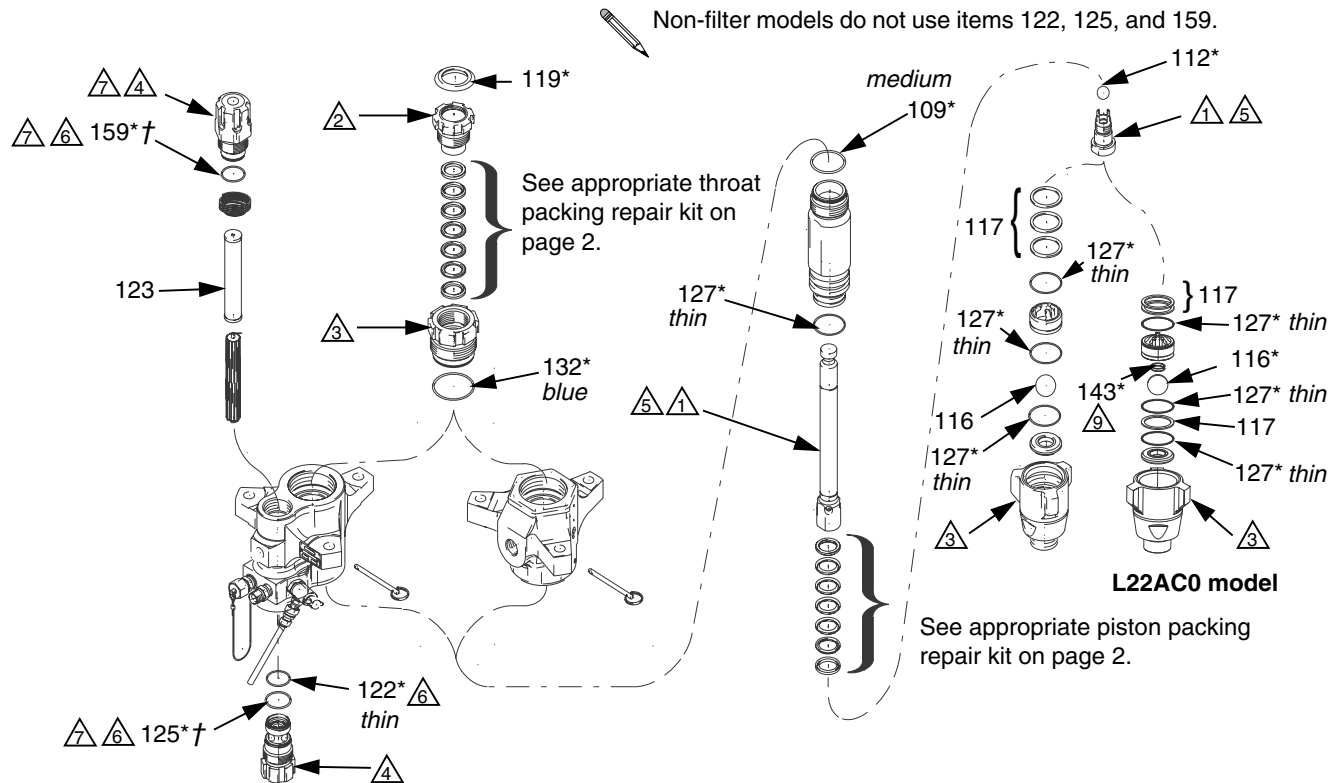
24F967 Xtreme™ Seal Repair Kit

24F968 Tuff-Stack™ Seal Repair Kit

262793 X-Tuff® Seal Repair Kit

Bulk Pack Replacement Parts

- ⚠ Torque to 190-210 ft-lb (258-285 N•m).
- ⚠ Kit 24F967 and 262793 - Torque to 25-30 ft-lb (34-41 N•m).
Kit 24F968 - Torque to 125 ft-lb (169 N•m).
- ⚠ Torque to 140-150 ft-lb (189-203 N•m).
- ⚠ Torque to 40-60 ft-lb (52-82 N•m).
- ⚠ Apply lubricant to threads before assembly.
- ⚠ Lubricate.
- ⚠ Circular grooves on top filter caps (not included) indicates pump series. See page 3 for detailed information.
- 8. Thick, medium, and thin refers to the relative cross-section thickness of the o-rings.
- ⚠ Inlet spring (143) is only used in XP proportioner pumps. If using this kit to repair a lower used on the XM PFP system, do not use spring (143). Discard the spring.



Bulk Pack Replacement Parts

Ref.	Part	Description	Qty.
103*	---	THROAT PACKINGS	1
104*	---	PISTON PACKINGS	1
109*	244893	O-RING, PTFE, top cylinder; medium (10/pack)	1
112*	244898	BALL, piston, 7/8 in. (22 mm) diameter (3/pack)	1
116*	253030	BALL, inlet, 1.5 in. (38 mm) diameter (3/pack)	1
117	244856	SHIM, inlet, ball guide (9/pack)	3
119*	244999	PLUG, throat seal (10/pack)	1
119*	247395	PLUG, throat seal (10/pack)	1
122*	244895	O-RING, filter; thin, PTFE (10/pack)	1
123	238436	STRAINER, 30 mesh screen, 5.65 in. (143.5 mm) (25/pack)	1
123	224458	STRAINER, 30 mesh screen, 5.65 in. (143.5 mm) (2/pack)	1
123	224459	STRAINER, 60 mesh screen, 5.65 in. (143.5 mm) (2/pack)	1
123	238438	STRAINER, 60 mesh screen, 5.65 in. (143.5 mm) (25/pack)	1
125* †	262484	O-RING, lower cap (10/pack)	1
	244896	For Series A pumps (10/pack)	1
127*	244894	O-RING, PTFE; thin (10/pack)	4
132*	244891	O-RING, PTFE, blue (10/pack)	1
143*	116802	SPRING, foot valve; 262793 only	1
159* †	262483	O-RING, top cap (10 pack)	1
	244895	For Series A pumps (10/pack)	1

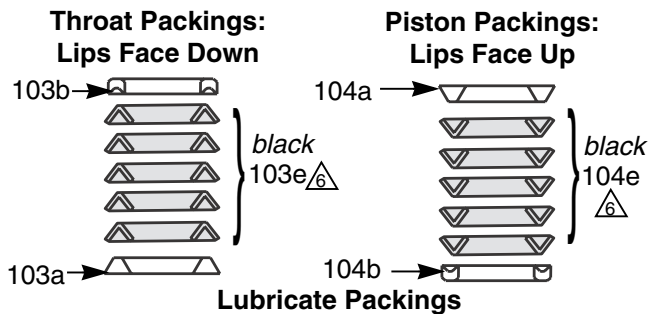
* Included in Seal Repair Kits.

† See page 3 to match correct o-ring with pump series. Discard unused o-rings; they do not fit different series pumps.

Thick, medium, and thin refers to the relative cross-section thickness of the o-rings.

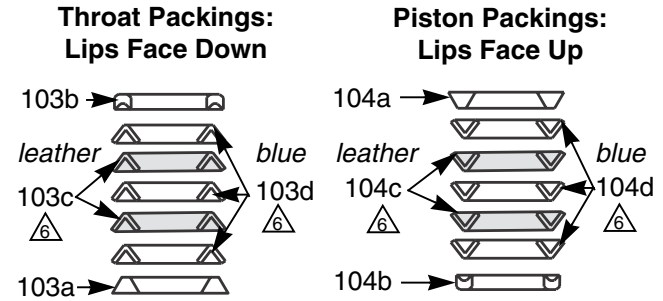
NOTE: The L22AC0 model uses a 30 mesh filter.

Tuff-Stack™ Seal Repair Kit 24F968



Ref.	Part	Description	Qty.
103a	244883	GLAND, male, throat (4/pack)	1
103b	244877	GLAND, female, throat (4/pack)	1
103e	244859	V-PACKING, carbon-filled PTFE, throat (10/pack)	5
104a	244844	GLAND, male, piston (4/pack)	1
104b	244878	GLAND, female, piston (4/pack)	1
104e	244860	V-PACKING, carbon-filled PTFE, piston (10/pack)	5

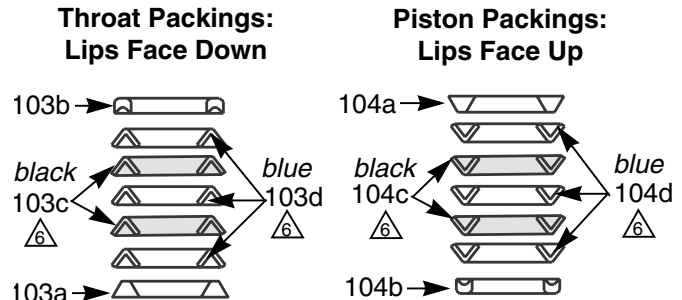
Xtreme™ Seal Repair Kit 24F967



Lubricate Packings
(soak leather packings in oil for 1 hour)

Ref.	Part	Description	Qty.
103a	244883	GLAND, male, throat (4 pack)	1
103b	244877	GLAND, female, throat (4 pack)	1
103c	244871	V-PACKING, leather, throat (10 pack)	2
103d	244865	V-PACKING, UHMWPE, throat (10 pack)	3
104a	244884	GLAND, male, piston (4 pack)	1
104b	244878	GLAND, female, piston (4 pack)	1
104c	244872	V-PACKING, leather, piston (10 pack)	2
104d	244866	V-PACKING, UHMWPE, piston (10 pack)	3

X-Tuff® Seal Repair Kit 262793



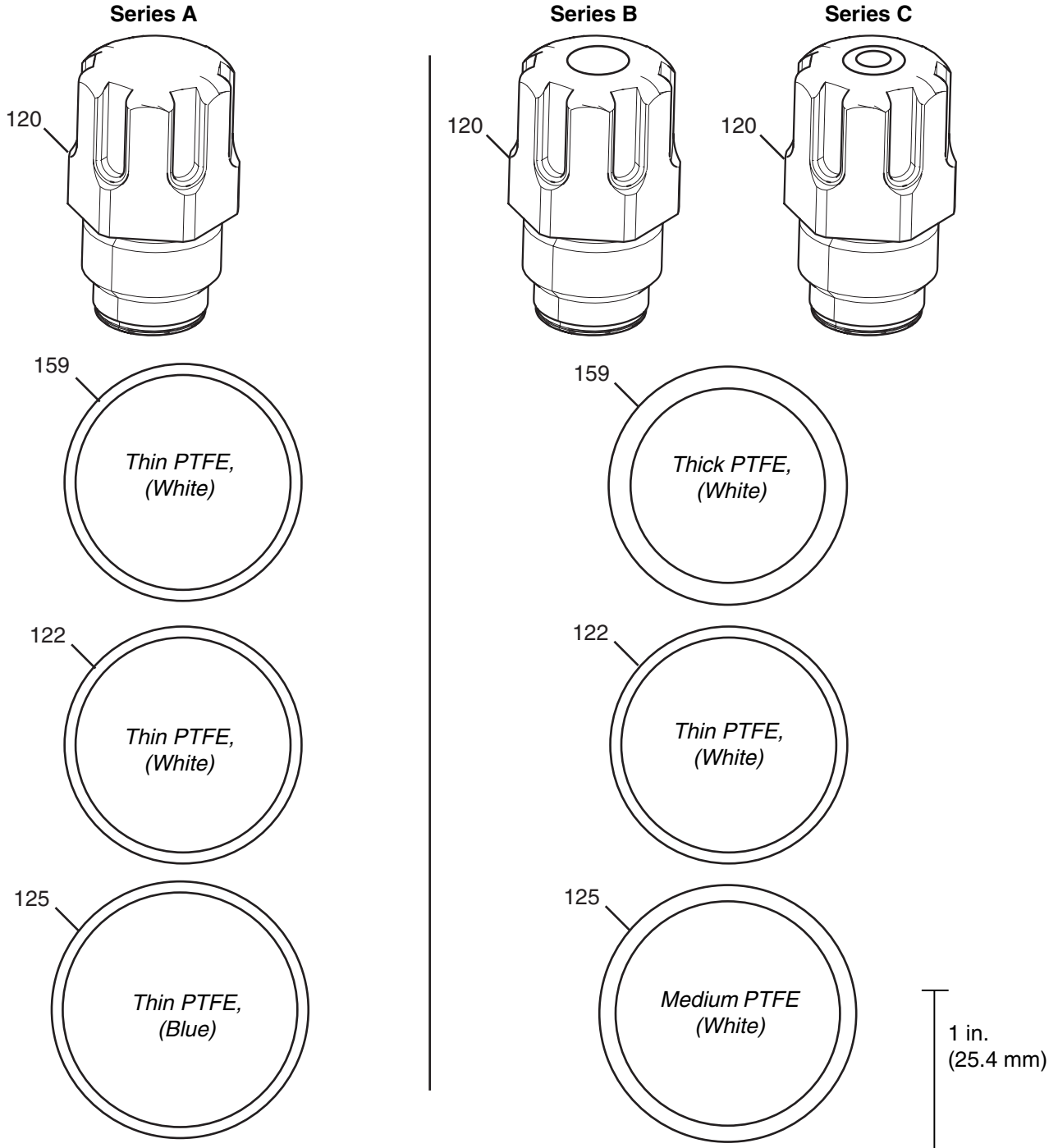
Ref.	Part	Description	Qty.
103a	244883	GLAND, male, throat (4 pack)	1
103b	244877	GLAND, female, throat (4 pack)	1
103c	244859	V-PACKING, carbon-filled PTFE, throat (10 pack)	2
103d	244865	V-PACKING, UHMWPE, throat (10 pack)	3
104a	244884	GLAND, male, piston (4 pack)	1
104b	244878	GLAND, female, piston (4 pack)	1
104c	244860	V-PACKING, carbon-filled PTFE, piston (10 pack)	2
104d	244866	V-PACKING, UHMWPE, piston (10 pack)	3

O-ring Chart

The pump series for all Xtreme and XP lowers are identified by the circular grooves on the top filter cap. Use the chart below to match the correct o-rings when rebuilding the pump.

The original filter cap seals were changed in 2010 for improved sealing. The o-rings are not interchangeable between different series filter caps. See **24F975 Filter Cap Conversion Kit**, page 4.

Note: The top filter cap is shown (not included in the repair kit). O-rings below are shown at actual size.

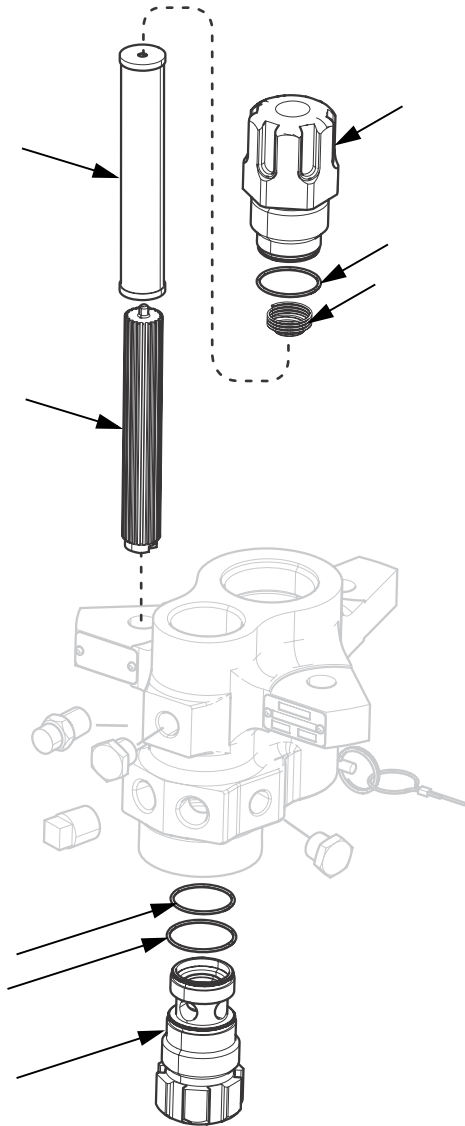


24F975 Filter Cap Conversion Kit

Purchase **24F975 Filter Cap Conversion Kit** to improve sealing of Series A filters. Includes components shown. See manual 406882 for more information.

Benefits:

- Compatible with all sizes.
- Improves sealing
- Ensures filters are installed correctly



All written and visual data contained in this document reflects the latest product information available at the time of publication. Graco reserves the right to make changes at any time without notice.

For patent information, see www.graco.com/patents.

Original instructions. This manual contains English. MM 406892

Graco Headquarters: Minneapolis
International Offices: Belgium, China, Japan, Korea

GRACO INC. AND SUBSIDIARIES • P.O. BOX 1441 • MINNEAPOLIS MN 55440-1441 • USA
Copyright 2010, Graco Inc. All Graco manufacturing locations are registered to ISO 9001.

www.graco.com
Revised March 2013